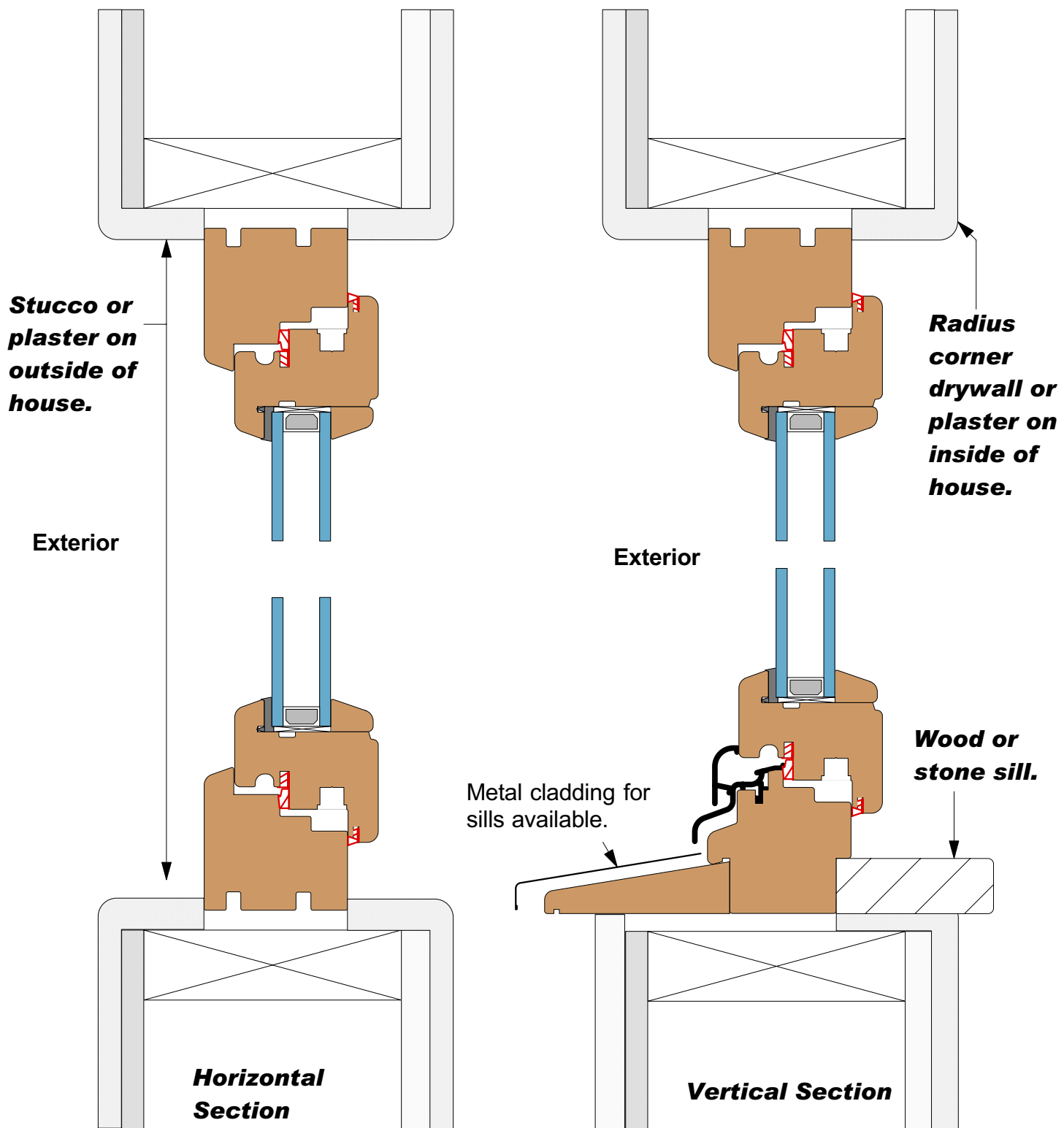
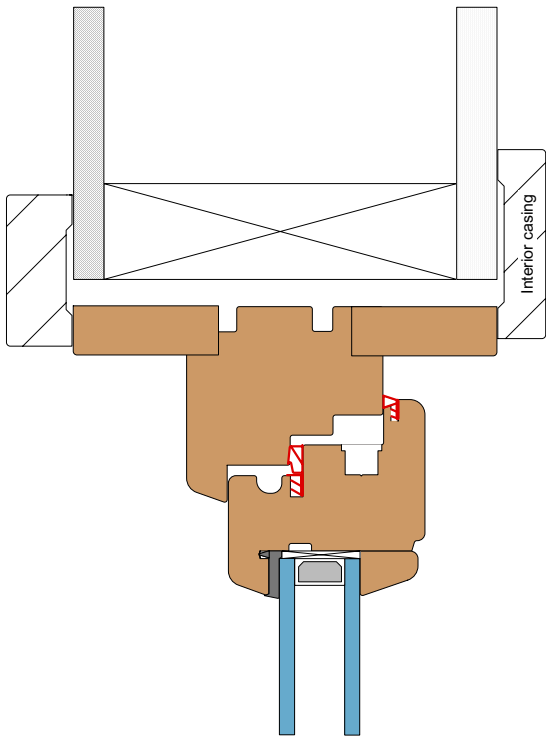


# ***Jamb extension detail of window position Euro style with no extensions.***

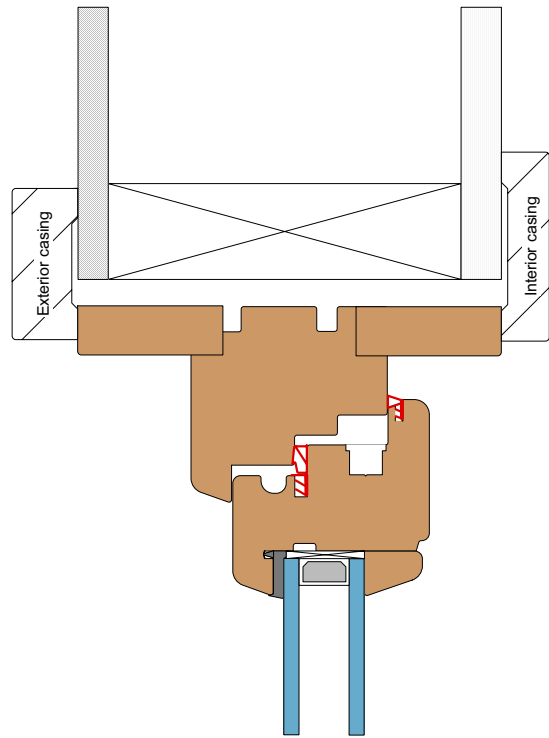


<p><b>Cascade Woodwork</b>          970 325 4780          970 325 7228 fax  <a href="http://www.cascadewoodwork.com">www.cascadewoodwork.com</a></p>	<p><b>Tilt-Turn Jamb details</b>          Scale - 1/2          Dimensions - inch &amp; millimeter</p>
--	---

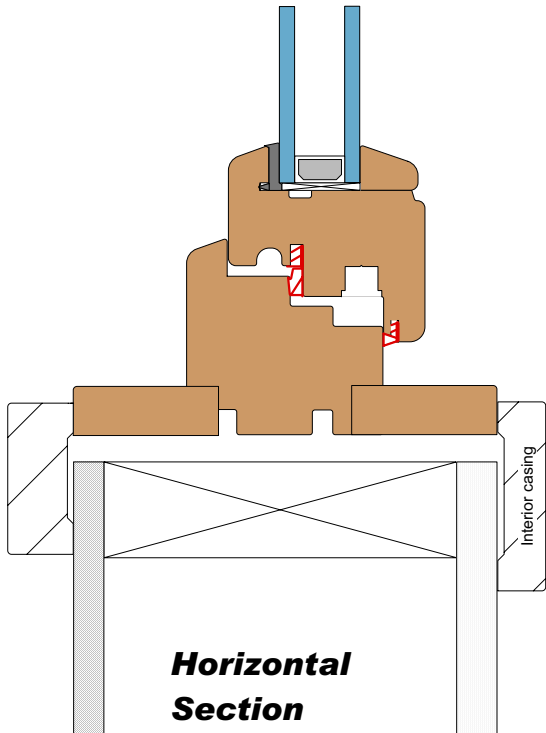
# ***Jamb extension detail of window centered in wall opening.***



**Exterior**

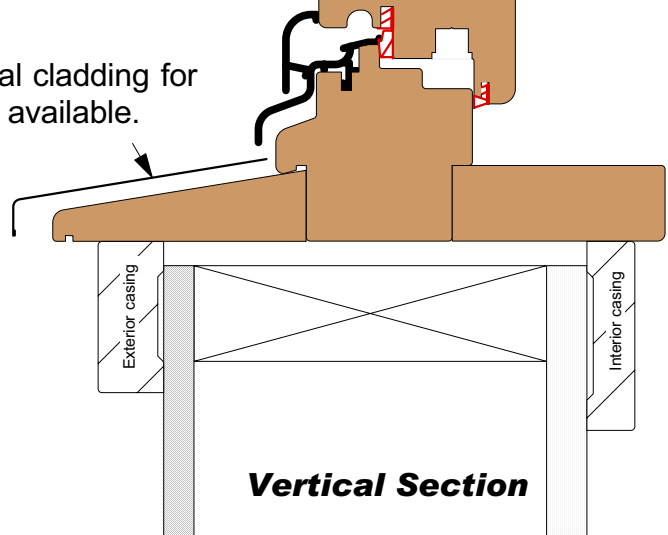


**Exterior**



***Horizontal  
Section***

Metal cladding for  
sills available.



***Vertical Section***

**Cascade Woodwork**

970 325 4780

970 325 7228 fax

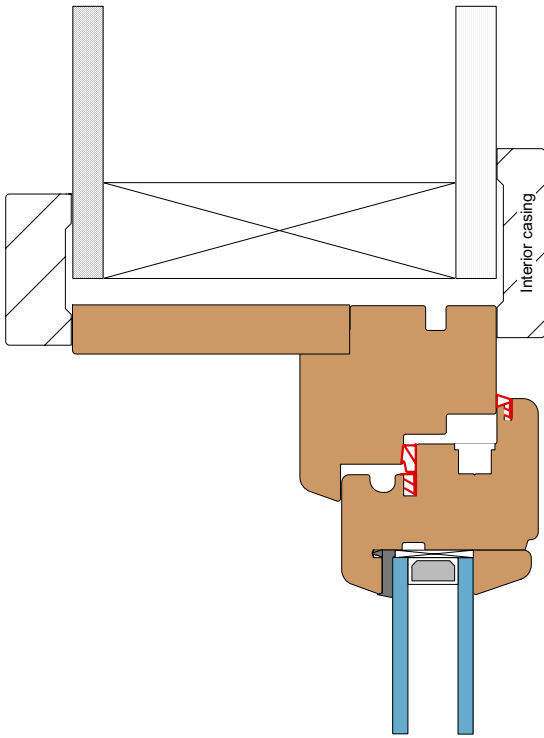
[www.cascadewoodwork.com](http://www.cascadewoodwork.com)

**Tilt-Turn Jamb details**

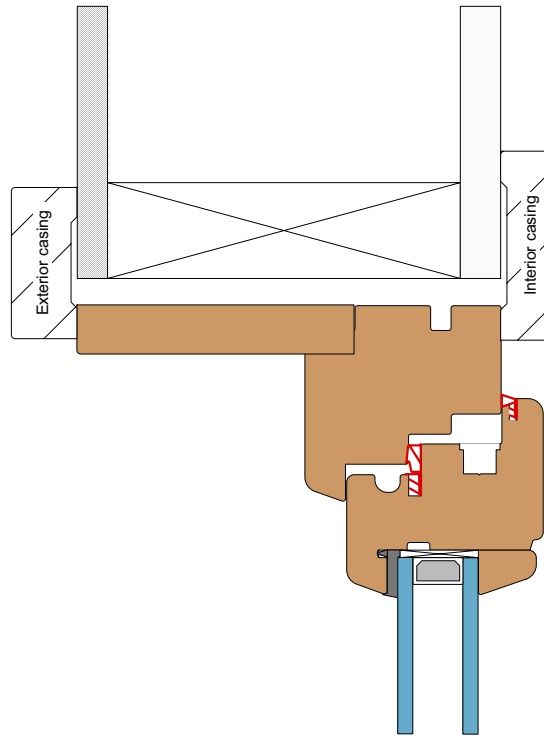
Scale - 1/2

Dimensions - inch & millimeter

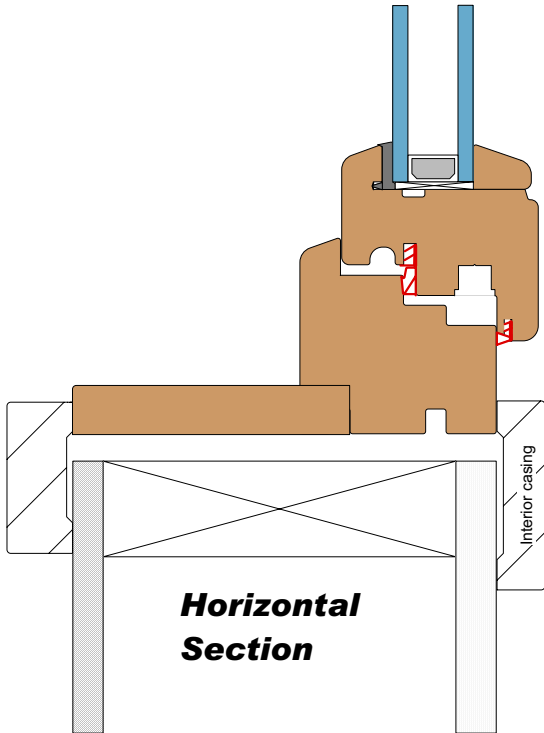
# ***Jamb extension detail of window positioned to inside of wall opening.***



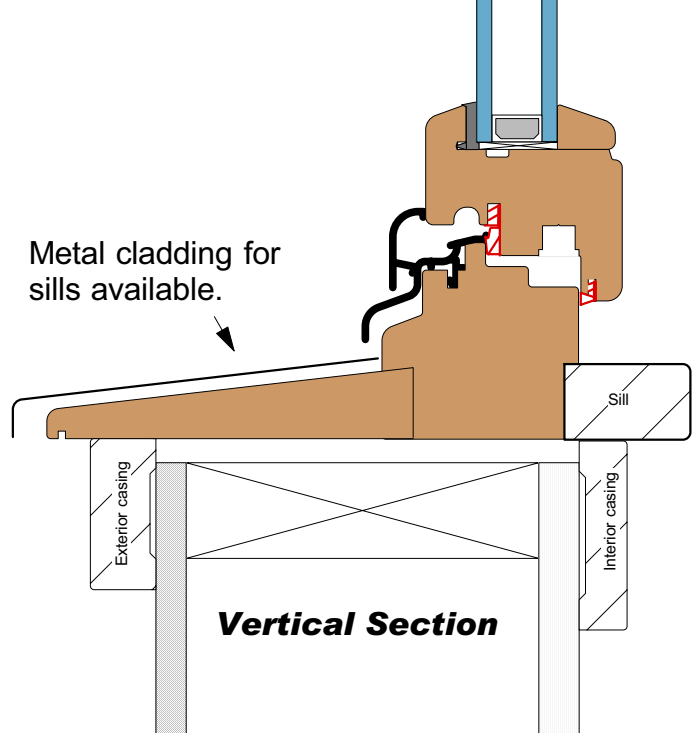
**Exterior**



**Exterior**



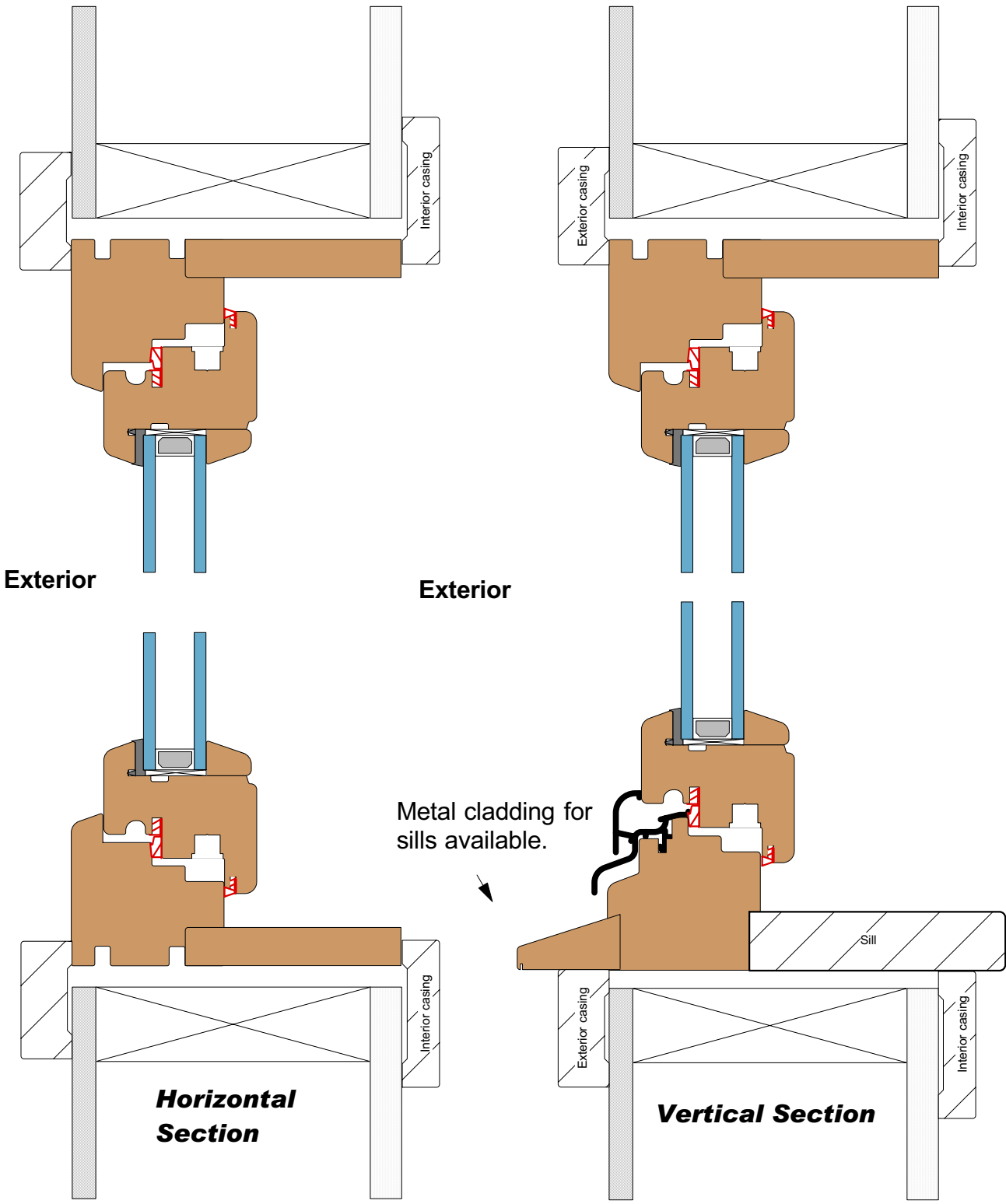
**Horizontal Section**



**Vertical Section**

<p><b>Cascade Woodwork</b> 970 325 4780 970 325 7228 fax www.cascadewoodwork.com</p>	<p><b>Tilt-Turn Jamb details</b> Scale - 1/2 Dimensions - inch &amp; millimeter</p>
--	---

# **Jamb extension detail of window positioned to outside of wall opening.**



<p><b>Cascade Woodwork</b> 970 325 4780 970 325 7228 fax www.cascadewoodwork.com</p>	<p><b>Tilt-Turn Jamb details</b> Scale - 1/2 Dimensions - inch &amp; millimeter</p>
--	---

Window frames can be used creatively in log and timber frame construction. With or without jamb extensions.

